

SMA SERIES SINGLE SECTION WALL MOUNTED CABINET

6U,9U,12U,15U,18U Sizes

Designed to house rack mount equipment for cabling, telecommunications, IT, industrial and home installations, Safewell SMA series is supplied flat-packed, which eases access to the installation site while reducing logistics costs and providing greater protection during transit.

- Most popular model in the market .
- Toughened glass front door.
- 1/3 assembled original volume when flat-packed.
- Reliable and rigid construction ensure over 60KG static loading capacity.



Standard Compiled

Safewell SMA series wall mouted cabinet is of perfect structure, and extremely easy for assembling, it only takes 5 minutes for a skillful person to assemble a whole cabinet.

Features

A. Top Cover with Fans Optional



120mm*120mm fans can be pre-installed on the top cover.

C. Fast Installation for the Door



L-shaped spring pin make it fast to install front door to the frame and easily to change door opening direction

B. Removable Side Panel



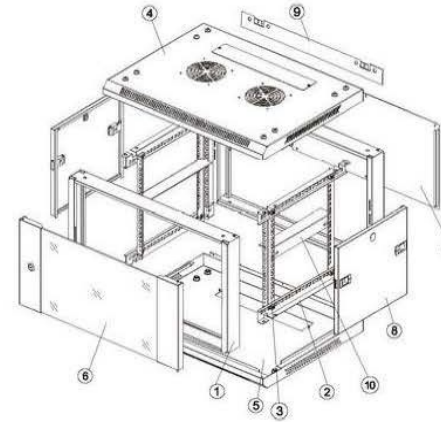
Removable side panel simplifies your installation of accessories and monitoring of IT Equipment.

D. Easy Cable Entry



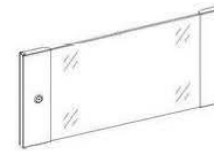
Cable entry on both of top cover and bottom panel.

Components of SMA Series Single Section Wall Mounted Cabinet

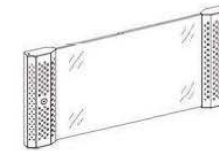


S/N	Specification	Quantity
1	Frame	2
2	Horizontal bracket	4
3	Vertical rail	4
4	Top cover	1
5	Bottom panel	1
6	Front door	1
7	Rear panel	1
8	Side panel	2
9	Mounting bracket	1
10	L-shaped bracket	2

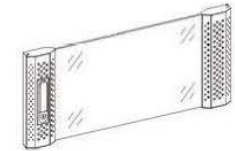
Optional Doors-Structure Drawing



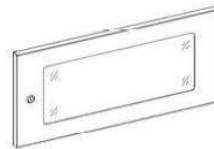
A. Tempered Glass Door
Lock: Small Round Lock



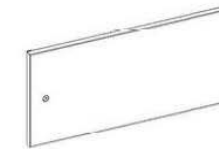
B. Tempered Glass Door, with Vented Holes
Lock: Small Round Lock



C. Tempered Glass Door, with Vented Holes
Lock: Spring Lock



D. Tempered Glass Door
Lock: Small Round Lock



E. Solid Iron Door
Lock: Small Round Lock

Main Dimension

